

Main Features

- Low profile dual port Mini PCIe network adapter card with Intel 82574L LAN controller
- Provides fully compliant 10/100/1000 RJ-45 Ethernet port through single PCIe slot
- Form Factor: PCI Express Mini card
- Support Wake-on-Lan and PXE network boot support
- Compliant with IEEE802.3, IEEE802.3u, IEEE802.3ab

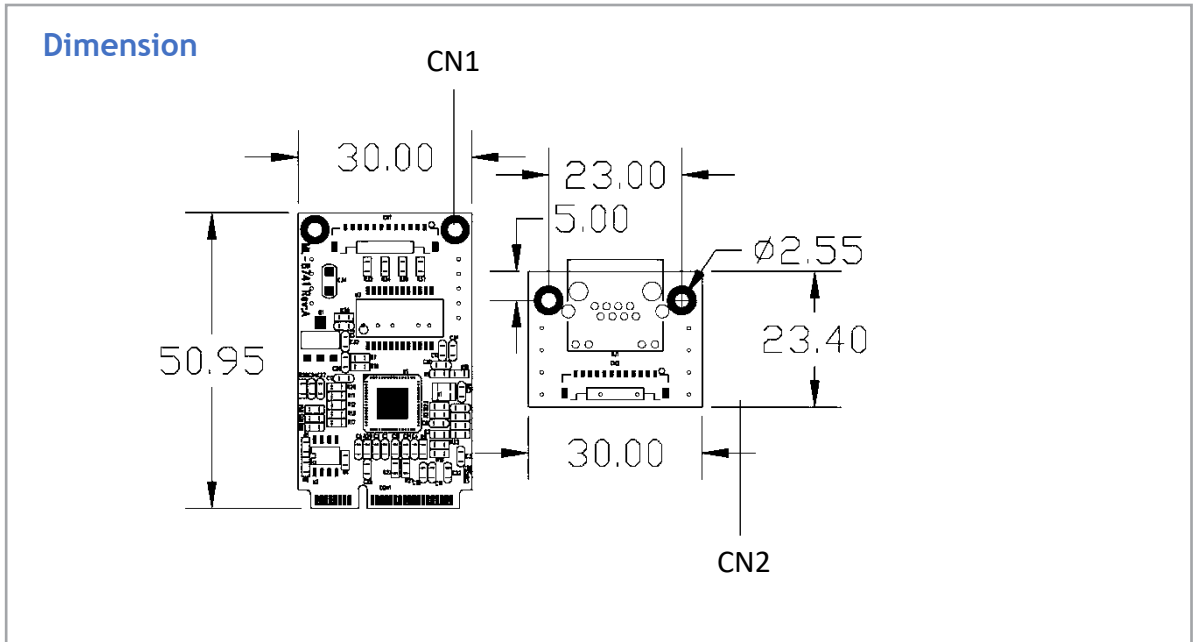
Product Overview

The ML8741 Mini PCI Express Gigabit Network Adapter Card adds 1000Mbps network connectivity to a Mini PCI Express enabled computer system, such as Mini-ITX motherboards or fanless System.

ML8741 with flexible design is perfect for small form factor or embedded systems that originally lack Gigabit networking capability, or for adding a network connection without taking up a full-sized PCI Express slots, this high quality Mini PCIe network adapter includes a low profile/half-height bracket for additional installation options.

Specifications

Chipset	Intel 82574L Gigabit LAN Controller
Form Factor	Mini PCIe Form Factor
Whole Duplex	Full Duplex Flow Control
Network Interface Type	RJ45 Copper connector board with cable
Transmission Speed	10/100/1000Mbps, PCIe v1.1 (2.5 GT/s)
Functions	Support WOL, PXE and Teaming Functions
Power supply	On board 3.3V
Dimension	LAN Module Dimension : 50.95 x 30(mm) RJ45 LAN Adapter Dimension : 30 x 23(mm)
Compatible Operating System	Windows 7 / Windows 8.1 / Windows 10 Windows Server 2008 / Windows Server 2008 R2 / Windows Server 2012 / Windows Server 2012 R2 / Windows Server 2016 / Windows Server 2019 (ver. 1903) Linux (latest ver. 24.1)
Working Temperature	0°C-85°C



Pin definition

CN1	PIN	Description
	1	LINK100_LED
	2	LINK_1000_LED
	3	MA_A3-
	4	MA_A3+
	5	MA_A2-
	6	MA_A2+
	7	MA_A1-
	8	MA_A1+
	9	MA_A0-
	10	MA_A0+
	11	VCC3
	12	LINK_ACT_LED

CN2	PIN	Description
	1	LINK100_LED
	2	LENK_1000_LED
	3	EX_MA_A3-
	4	EX_MA_A3+
	5	EX_MA_A2-
	6	EX_MA_A2+
	7	EX_MA_A1-
	8	EX_MA_A1+
	9	EX_MA_A0-
	10	EX_MA_A0+
	11	VCC3
	12	LINK_ACT_LED

Ordering Information

ML8741

- MiniPCIe to single GbE LAN Module
- one Intel 82574L Controller
- w/ 30cm cable and one port RJ45

